

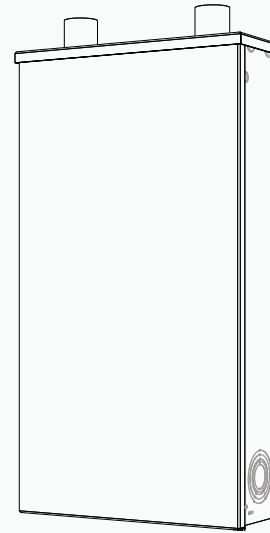
POWERWALL

Backup Gateway

The Backup Gateway for Tesla Powerwall provides energy management and monitoring for solar self-consumption, load shifting, and whole-home or partial-home backup.

The Backup Gateway controls connection to the grid, automatically detecting outages and providing a seamless transition to backup power. When equipped with a circuit breaker, the Backup Gateway can be installed at the service entrance.

The Backup Gateway communicates directly with Powerwall, allowing you to monitor home energy use and manage backup energy reserves from any mobile device with the Tesla app.



PERFORMANCE SPECIFICATIONS

AC Voltage (Nominal)	230 V, 120/240 V
Feed-In Type	Single & Split Phase
Grid Frequency	50 and 60 Hz
Disconnect Current	200 A
Maximum Input Short Circuit Current	10 kA
Overcurrent Protection Device ¹	100–200 A; Service Entrance Rated
Overvoltage Category	Category III
AC Meter	Revenue grade (+/- 1%)
Connectivity	Ethernet, Cellular (3G), Wi-Fi
User Interface	Tesla App
Operating Modes	Support for solar self-consumption, load shifting, and backup
Backup Operation	Automatic disconnect for seamless backup transition
Modularity	Supports up to 10 AC-coupled Powerwalls
Warranty	10 years

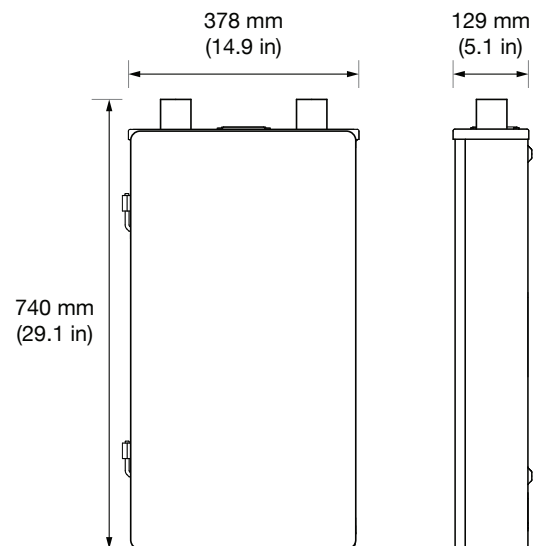
¹Circuit breaker required for installation at service entrance.

COMPLIANCE INFORMATION

Certifications	UL 1642, UL 1741, IEC 62109-1, CSA C22.2:107.1
Grid Connection	Worldwide Compatibility
Emissions	FCC Part 15 Class B, ICES 003, IEC 61000-6-3, EN 55024, EN 301489-1, EN 301489-7, EN 301489-17
Environmental	RoHS Directive 2011/65/EU, WEEE Directive 2012/19/EU, Battery Directive 2006/66/EC REACH Regulation
Seismic	AC-156, IEEE 693-2005 (high)

MECHANICAL SPECIFICATIONS

Dimensions	740 mm x 378 mm x 129 mm (29.1 in x 14.9 in x 5.1 in)
Weight	16.4 kg (36 lbs)
Mounting options	Wall mount



ENVIRONMENTAL SPECIFICATIONS

Operating Temperature	-20°C to 50°C (-4°F to 122°F)
Operating Humidity (RH)	Up to 100%, condensing
Maximum Elevation	3000 m (9843 ft)
Environment	Indoor and outdoor rated
Enclosure Type	NEMA 3R
Ingress Rating	IP44